

Quick Reference Guide

– Roomer S

Description

The General A portable overhead lift with room-to-room functionality provides you with a unique ability to move a patient safely and easily from one room to another or from one rail system to another. The lift has two belts, both of which are connected to the rail during a transfer, allowing the transfer to take place horizontally. The transfer takes place in one operation, which means that both the patient and caregiver avoid exposure to unnecessary strain during lifting and moving. The lift is used for lifting and moving a patient, for example to or from a bed, wheelchair or toilet or from the floor. The apparatus can also be used for walking training, and with the help of some accessories, for balance training and weighing.



Part no:

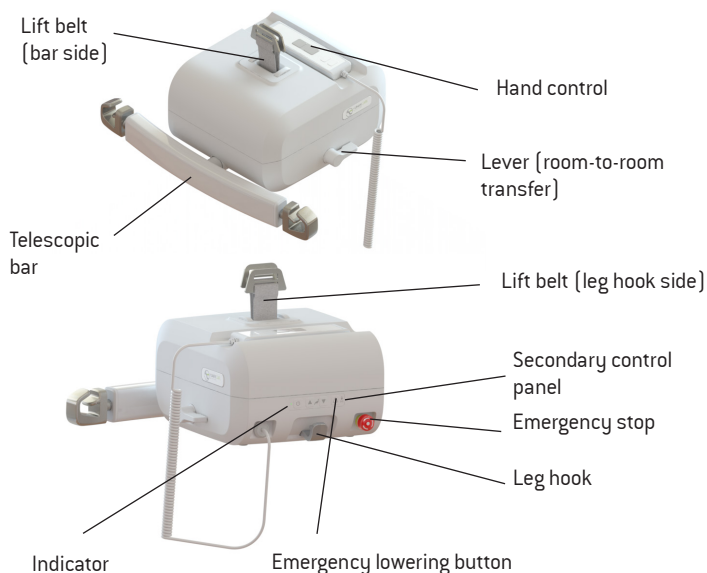
North America: 55300-NA

Europe: 55300-EU

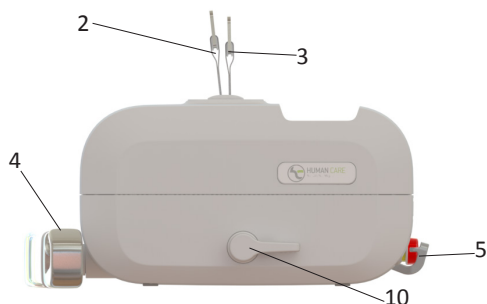
Australia: 55300-AU

Great Britain: 55300-GB

Japan: 55300-JP



Using the lift



⚠ Important! If the buttons on the hand control or control panel are used to feed the belt back into the lift, the belt must be kept taut until the entire belt has been fed in.

⚠ Important! Do not turn the lever unless both belts are connected to their respective rail rollers. The lever (10) must always point towards the belt that the lift is suspended from or is to be transferred over to! When the lift is suspended from only one of the lift belts and the lever (10) is turned over to the free belt, the loaded belt will be released if you physically raise the lift. This can result in the lift falling, which may be dangerous. Turn the lever (10) back immediately to the loaded belt to avoid unintentional disconnection!

Press the Up button on the hand control or control panel on the lift to lift the patient. Press the Down button on the hand control or control panel to lower the patient. Pressing the button activates a soft start, and releasing it causes a soft stop.

The direction of the lever (10) determines which belt is engaged and which is active. If the lever (10) is pointing towards the leg hook (3) the belt nearest the leg hook (5) is active. If the lever (10) is pointing towards the telescopic bar (4) the belt nearest the telescopic bar (2) is active.

Set the telescopic bar (4) to the prescribed position. Ensure that the bar hooks are in the same position on both sides. Place the patient in the prescribed sling according to the sling instructions and hang the sling in the hooks on the telescopic bar and in the leg hook (5). Check that the sling's lifting straps are properly anchored in all hooks.

Helpful Troubleshooting Tips!

The lift will not work while plugged in and/or if emergency stop is engaged

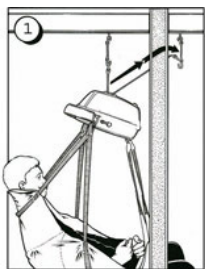
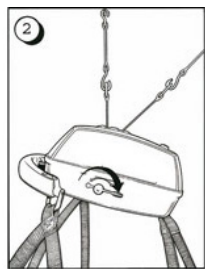
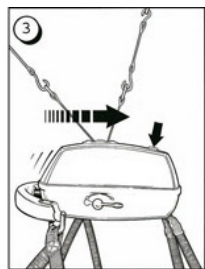
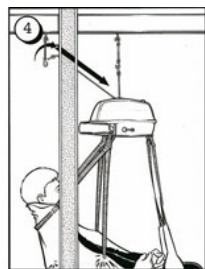
Quick Reference Guide

– Roomer S





Room to room transfer

The lift offers a unique ability to move a patient smoothly and easily from one room to another or from one rail system to another. The transfer takes place horizontally in a manner that is safe and comfortable for the patient. It requires no structural engineering measures such as making holes in or above doors.

Important! To ensure that the lift belt will not be damaged, it is important that the lift is balanced during moving, lifting and lowering operations. Never hold or pull the lift belt when moving a patient.

			
<p>Move the patient to the doorway or to the place where the room-to-room transfer is to take place. Raise the lift until it is approx. 10 cm away from the hook. Pull out the non-active lift belt and hook it securely diagonally from above in the hook in the other room or the other rail system.</p>	<p>Turn the lever over so that it points towards the direction in which you want to move the patient. Check that the lever has been turned over properly. Now both lift belts are connected.</p>	<p>Press the Up button on the hand control or on the control panel and keep it pressed in to perform the transfer to the other room. Transfer is complete when the lift belt in the room you left has been released.</p>	<p>Unhook the belt that has now been released. Hold onto the belt, which is automatically retracted to the lift. Continue further along the rail in the next room or next system.</p>

The telescopic hanger bar

			 <p>Important! Do not hold on to the telescopic bar or the hooks when performing a lift.</p>
<p>The hooks on the telescopic bar have three adjustable positions (40, 50 and 60 cm). To change position, turn the hooks 1/4 turn while pushing or pulling the hooks to the desired position. The hooks will automatically fall into place in the position, and so it is necessary to repeat the turn (1/4 turn) when passing the middle position (position 2) [See fig].</p>			



IMPORTANT! This quick reference guide does not replace the user manual which can be downloaded at www.humancaregroup.com

AUSTRALIA
 Unit 9, 271 Wells Road
 Chelsea Heights, Victoria 3196
 Phone:- +61 3 8773 1111
 Fax:- +61 3 9773 4008
 Email: info.au@humancaregroup.com

CANADA
 10-155 Colonnade Road
 Ottawa, ON K2E 7K1
 Phone:- 613.723.6734
 Fax:- 613.723.1058
 Email: info.ca@humancaregroup.com

SWEDEN
 Årstaängsvägen 21C
 117 43 Stockholm
 Phone:- +46 8 665 35 00
 Fax:- +46 8 665 35 10
 Email: info.se@humancaregroup.com

UNITED STATES
 4210 S. Industrial Drive, Suite 160
 Austin, TX 78744
 Phone:- 512.476.7199
 Fax:- 512.476.7190
 Email: info.us@humancaregroup.com

99588-Quick reference guide-Roomer S-Rev01 (2015-07-23)